



紡絲噴嘴 JA-SP Type

Spinning Jet JA-SP-21-1.3J-6E

體積極小，可作多噴嘴設計。

開放式的設計，掛紗容易，操作簡單。

可依顧客特殊需求來設計噴嘴氣孔尺寸及連排數。

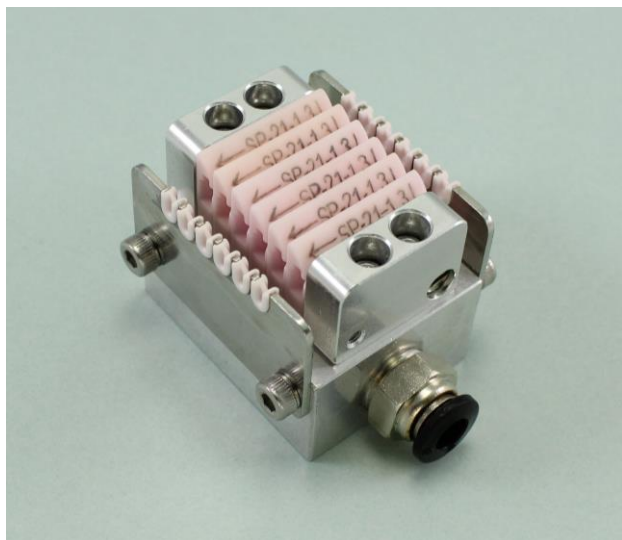
使用於 POY/FOY/FDY 與 SDY 加工工程。適用於聚酯纖維 (PET) / 聚醯胺纖維 (NYLON) 和聚丙烯纖維 (PP) 等纖維。

Minimized volume Spinning Jet, multi-jet design available.

Open type design, very easy for yarn threading.

Specially designed for low air consumption, reduce the cost and raise the efficiency and number of yarn ends.

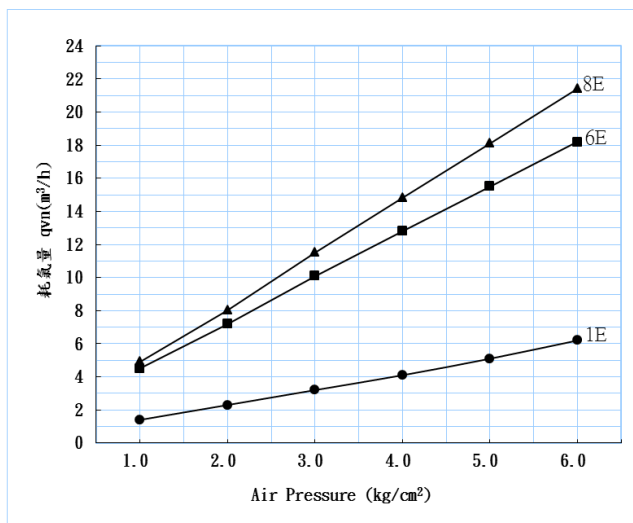
This series can be used with polyester /polyamide/ polypropylene for POY/FOY/FDY and SDY applications.



I. 規格 Specifications

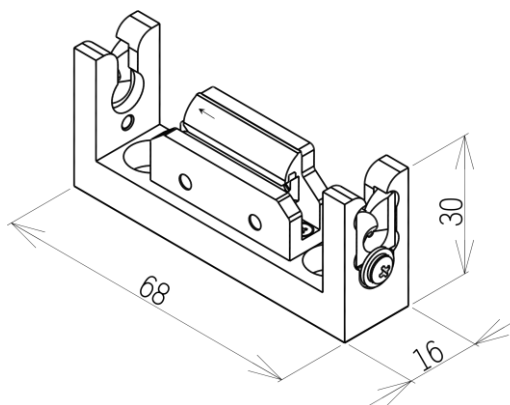
Spinning Jet Type	JA-SP-21-1.3J-6E
Air hole (mm)	Ø 1.3
Pressure range(kg/cm ²)	1 - 6
Spinning count(den)	< 250
Take-up speed (m/min)	~ 7000
Number of yarn ends	1,6,8,10,12,16,20,24
Guge(mm)	≥ 4

II. 噴嘴空氣耗氣量 Jet air consumption

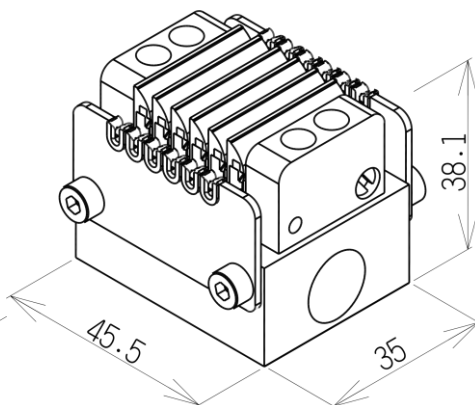


III. 噴嘴尺寸 Jet dimensions

JA-SP-21-1.3J-1E-H



JA-SP-21-1.3J-6E-P45



JA-SP-21-1.3J-8E-P45

