



預噴嘴 J-MG Type

Migration Jet J-MG-15-2006-1E

體積極小，可作多噴嘴設計。

提供優異的油劑均勻性。

可依顧客特殊需求來設計噴嘴氣孔尺寸及連排數。

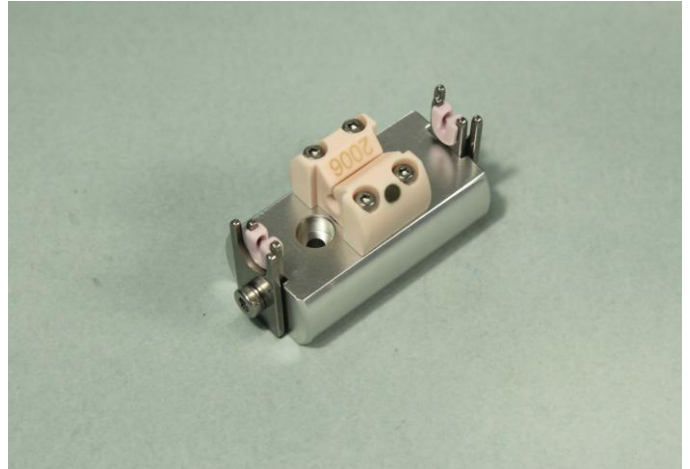
使用於 POY/FOY/FDY 與 SDY 加工工程。適用於
聚酯纖維(PET)/聚醯胺纖維(Nylon) 和聚丙烯
纖維(PP)等纖維。

Minimized volume Spinning Jet, multi desise available.

This Migration jet provides excellent oil regularity.

Specially designed for low air consumption, reduce the
cost and raise the efficiency and number of yarn ends.

This series can be used with polyester /polyamide/
polypropylene for POY/FOY/FDY and SDY applications.



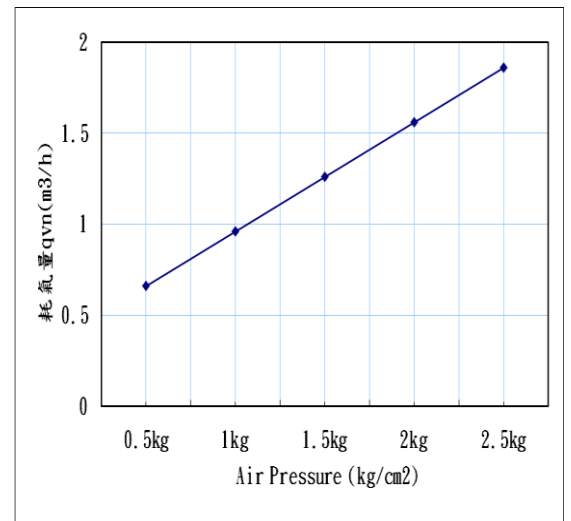
I. 規格

Specifications

Spinning Jet Type	J-MG-15-2006-1E
Air channel (mm)	Ø 0.6*3
Pressure range (kg/cm ²)	0.5 - 2
Spinning count (den)	< 300
Take-up speed (m/min)	~ 7000
Number of yarn ends	1,6,8,10,12,16,20,24

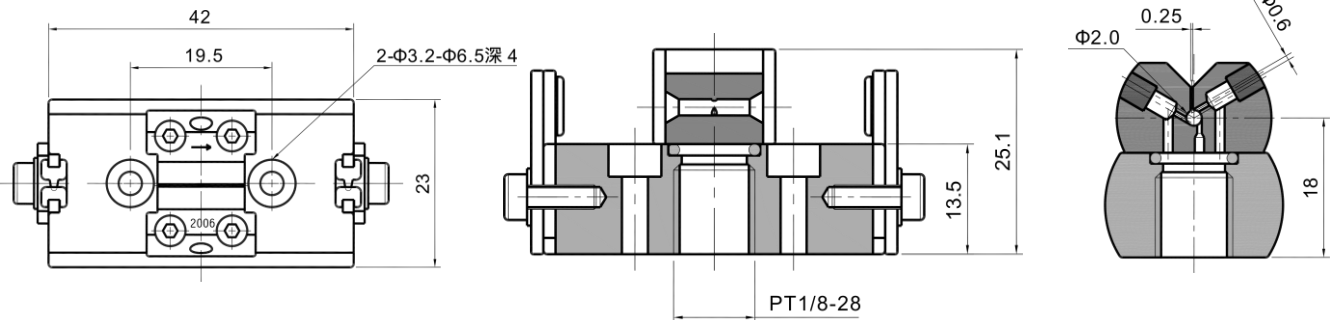
II. 噴嘴空氣耗氣量

Jet air consumption



III. 噴嘴尺寸

Jet dimensions



TEL : 886-2-2679-5215

Address : 60, Ying-Tao Rd., Ying-Ko District, New Taipei city, 239 Taiwan

Bell New Ceramics Co., LTD

E-mail: bellcera@bellcera.com