

S=1 /1

D /NO . 74007-00
NAME . MISCELLANEOUS GUIDE
MATE. ASO

6.83g

S=1 /1

D /NO . 74016-00
NAME . MISCELLANEOUS GUIDE
MATE. ASO

12.8g

S=1 /1

D /NO . 74020-00
NAME . MISCELLANEOUS GUIDE
MATE. ASO

3.90g

S=3 /2

D /NO . 74049-00
NAME . MISCELLANEOUS GUIDE
MATE. ASF

2.50g

S=2 /3

D /NO . 74075-00
NAME . MISCELLANEOUS GUIDE
MATE. ASW

43.2g

S=1 /1

D /NO . 76019-06
NAME . MISCELLANEOUS GUIDE
MATE. A00

8.00g

S=1 /1

D /NO . 76019-10
NAME . MISCELLANEOUS GUIDE
MATE. A00

5.78g

S=1 /1

D /NO . 76019H11
NAME . MISCELLANEOUS GUIDE
MATE. A00

8.90g

S = 1 / 1

D / NO . **76021-00**
 NAME . MISCELLANEOUS GUIDE
 MATE. A00

2.39g

S = 2 / 1

D / NO . **76024-00**
 NAME . MISCELLANEOUS GUIDE
 MATE. A00

0.69g

S = 2 / 1

D / NO . **76024H16**
 NAME . MISCELLANEOUS GUIDE
 MATE. A00

0.35g

S = 3 / 2

D / NO . **76026-00**
 NAME . MISCELLANEOUS GUIDE
 MATE. A00

1.15g

S = 1 / 2

D / NO . **76028-03**
 NAME . MISCELLANEOUS GUIDE
 MATE. A00

6.15g

S = 1 / 2

D / NO . **76028-05**
 NAME . MISCELLANEOUS GUIDE
 MATE. A00

6.01g

S = 1 / 1

D / NO . **76032-00**
 NAME . MISCELLANEOUS GUIDE
 MATE. A00

4.01g

S = 1 / 2

D / NO . **76043-00**
 NAME . MISCELLANEOUS GUIDE
 MATE. A00

9.52g

S = 1 / 1

D / NO . **76052-00**
 NAME . MISCELLANEOUS GUIDE
 MATE . ADO

4.04g

S = 3 / 4

D / NO . **76060-00**
 NAME . MISCELLANEOUS GUIDE
 MATE . AOO

16.4g

S = 1 / 1

D / NO . **76077-00**
 NAME . MISCELLANEOUS GUIDE
 MATE . AWO

0.58g

S = 1 / 1

D / NO . **76078-01**
 NAME . MISCELLANEOUS GUIDE
 MATE . AWO

0.30g

S = 3 / 4

D / NO . **76080-00**
 NAME . MISCELLANEOUS GUIDE
 MATE . ZHO

2.88g

S = 2 / 1

D / NO . **76088-00**
 NAME . MISCELLANEOUS GUIDE
 MATE . AOO

0.85g

S = 1 / 1

D / NO . **76095-00**
 NAME . MISCELLANEOUS GUIDE
 MATE . ASW

1.15g

S = 1 / 2

D / NO . **76099-00**
 NAME . MISCELLANEOUS GUIDE
 MATE . ASO

17.5g

S=3 /4

D /NO . **76129-00**
 NAME . MISCELLANEOUS GUIDE
 MATE. ADO

5.01g

S=2 /1

D /NO . **76137M00**
 NAME . MISCELLANEOUS GUIDE
 MATE. AWO

1.42g

S=1 /1

D /NO . **76138-00**
 NAME . MISCELLANEOUS GUIDE
 MATE. ASO

16.1g

S=2 /1

D /NO . **76149M00**
 NAME . MISCELLANEOUS GUIDE
 MATE. TSO

1.83g

S=3 /2

D /NO . **76151-00**
 NAME . MISCELLANEOUS GUIDE
 MATE. ADO

0.90g

S=3 /4

D /NO . **76159-00**
 NAME . MISCELLANEOUS GUIDE
 MATE. AOO

7.65g

S=1 /2

D /NO . **76160-00**
 NAME . MISCELLANEOUS GUIDE
 MATE. AOO

17.5g

S=2 /1

D /NO . **76167-00**
 NAME . MISCELLANEOUS GUIDE
 MATE. AOO

0.90g

S=2 /1

D /NO . **76184-00**
 NAME . MISCELLANEOUS GUIDE
 MATE. ADO

0.51g

S=2 /1

D /NO . **76191-00**
 NAME . MISCELLANEOUS GUIDE
 MATE. ADO

0.77g

S=2 /1

D /NO . **76193-00**
 NAME . MISCELLANEOUS GUIDE
 MATE. ADO

0.21g

S=2 /1

D /NO . **76197-00**
 NAME . MISCELLANEOUS GUIDE
 MATE. TSO

1.26g

S=2 /1

D /NO . **76200-00**
 NAME . MISCELLANEOUS GUIDE
 MATE. ADO

0.27g

S=2 /1

D /NO . **76200-01**
 NAME . MISCELLANEOUS GUIDE
 MATE. ADO

0.38g

S=1 /1

D /NO . **76202-00**
 NAME . MISCELLANEOUS GUIDE
 MATE. ASW

1.42g

S=3 /1

D /NO . **76205P00**
 NAME . MISCELLANEOUS GUIDE
 MATE. AWH

0.11g

S = 1 / 1

D / NO . **76211-00**
 NAME . MISCELLANEOUS GUIDE
 MATE. ADO

7.31g

S = 1 / 1

D / NO . **76212-00**
 NAME . MISCELLANEOUS GUIDE
 MATE. ADO

7.59g

S = 5 / 1

D / NO . **76222-00**
 NAME . MISCELLANEOUS GUIDE
 MATE. ADO

0.12g

S = 3 / 2

D / NO . **76241-00**
 NAME . MISCELLANEOUS GUIDE
 MATE. ADO

0.80g

S = 3 / 1

D / NO . **76252-00**
 NAME . MISCELLANEOUS GUIDE
 MATE. AWH

0.25g

S = 3 / 2

D / NO . **76266-00**
 NAME . MISCELLANEOUS GUIDE
 MATE. ADO

5.14g

S = 1 / 1

D / NO . **76275-00**
 NAME . MISCELLANEOUS GUIDE
 MATE. ADO

12.5g

S = 2 / 1

D / NO . **76278-00**
 NAME . MISCELLANEOUS GUIDE
 MATE. TSC

0.86g

S=2 /1

D /NO . **76282-00**
 NAME . MISCELLANEOUS GUIDE
 MATE. TSC

1.49g

S=1 /1

D /NO . **76360-00**
 NAME . MISCELLANEOUS GUIDE
 MATE. AOO

6.04g

S=1 /1

D /NO . **76361M00**
 NAME . MISCELLANEOUS GUIDE
 MATE. ZHO

2.83g

S=2 /3

D /NO . **76362M00**
 NAME . MISCELLANEOUS GUIDE
 MATE. ZHO

3.50g

S=1 /1

D /NO . **76378-00**
 NAME . MISCELLANEOUS GUIDE
 MATE. ASW

2.40g

S=1 /1

D /NO . **76378-01**
 NAME . MISCELLANEOUS GUIDE
 MATE. ASW

2.39g

S=1 /2

D /NO . **76392-00**
 NAME . MISCELLANEOUS GUIDE
 MATE. ASO

6.60g

S=1 /2

D /NO . **76401-00**
 NAME . MISCELLANEOUS GUIDE
 MATE. ZHO

5.81g

S = 1 / 2

D / NO . **76402-00**
 NAME . MISCELLANEOUS GUIDE
 MATE. ZHO

2.32g

S = 3 / 1

D / NO . **76416-00**
 NAME . MISCELLANEOUS GUIDE
 MATE. TSC

1.25g

S = 1 / 1

D / NO . **76447M00**
 NAME . MISCELLANEOUS GUIDE
 MATE. ZHO

6.28g

S = 3 / 2

D / NO . **76629-00**
 NAME . MISCELLANEOUS GUIDE
 MATE. ASF

20.0g

S = 2 / 3

D / NO . **76632-00**
 NAME . MISCELLANEOUS GUIDE
 MATE. ASO

6.45g

S = 1 / 1

D / NO . **76648-01**
 NAME . MISCELLANEOUS GUIDE
 MATE. ASW

1.44g

S = 1 / 1

D / NO . **76649-00**
 NAME . MISCELLANEOUS GUIDE
 MATE. ASW

11.0g

S = 2 / 3

D / NO . **76665-00**
 NAME . MISCELLANEOUS GUIDE
 MATE. ASW

40.4g

S=2 /3

D /NO . **76670-00**
 NAME . MISCELLANEOUS GUIDE
 MATE. ADO

4.72g

S=3 /1

D /NO . **76732-00**
 NAME . MISCELLANEOUS GUIDE
 MATE. ASW

0.32g

S=3 /1

D /NO . **76736-00**
 NAME . MISCELLANEOUS GUIDE
 MATE. ASW

0.38g

S=2 /3

D /NO . **76739-00**
 NAME . MISCELLANEOUS GUIDE
 MATE. ASW

26.0g

S=1 /1

D /NO . **76752-00**
 NAME . MISCELLANEOUS GUIDE
 MATE. ADO

14.9g

S=2 /3

D /NO . **76761-00**
 NAME . MISCELLANEOUS GUIDE
 MATE. ADO

5.04g

S=1 /2

D /NO . **76766-00**
 NAME . MISCELLANEOUS GUIDE
 MATE. ASW

48.6g

S=1 /2

D /NO . **76768-00**
 NAME . MISCELLANEOUS GUIDE
 MATE. ASW

8.74g

D / NO . **76769-00**
 NAME . MISCELLANEOUS GUIDE
 MATE. ASW

181g

D / NO . **76770-00**
 NAME . MISCELLANEOUS GUIDE
 MATE. ASW

1.52g

D / NO . **76772-00**
 NAME . MISCELLANEOUS GUIDE
 MATE. ASW

8.28g

D / NO . **76788-00**
 NAME . MISCELLANEOUS GUIDE
 MATE. ASW

27.9g

D / NO . **76810-00**
 NAME . MISCELLANEOUS GUIDE
 MATE. TSO

1.51g

D / NO . **76912M35**
 NAME . MISCELLANEOUS GUIDE
 MATE. TSO

2.05g

D / NO . **80002-00**
 NAME . MISCELLANEOUS GUIDE
 MATE. TSC

0.98g

D / NO . **80009-02**
 NAME . MISCELLANEOUS GUIDE
 MATE. ASO

2.78g

S=1 /1

D /NO . 80012-00
NAME . MISCELLANEOUS GUIDE
MATE. ASO

0.64g

S=1 /1

D /NO . 80018-00
NAME . MISCELLANEOUS GUIDE
MATE. ASO

0.69g

S=3 /2

D /NO . 80023-00
NAME . MISCELLANEOUS GUIDE
MATE. TSC

0.53g

S=1 /2

D /NO . 80029-00
NAME . MISCELLANEOUS GUIDE
MATE. ASO

2.05g

S=1 /1

D /NO . 80051-00
NAME . MISCELLANEOUS GUIDE
MATE. ASD

3.41g

S=1 /1

D /NO . 80054-00
NAME . MISCELLANEOUS GUIDE
MATE. ASO

0.69g

S=1 /1

D /NO . 80055-00
NAME . MISCELLANEOUS GUIDE
MATE. ASO

3.03g

S=1 /1

D /NO . 83002-00
NAME . MISCELLANEOUS GUIDE
MATE. ASW

5.89g

S=3/4

D / NO . **83028-00**
 NAME . MISCELLANEOUS GUIDE
 MATE. ASO

5.36g

S=1/1

D / NO . **83061-01**
 NAME . MISCELLANEOUS GUIDE
 MATE. TSC

0.90g

S=1/2

D / NO . **83063-00**
 NAME . MISCELLANEOUS GUIDE
 MATE. ASW

24.7g

S=1/1

D / NO . **83066-01**
 NAME . MISCELLANEOUS GUIDE
 MATE. ASW

5.42g

S=1/1

D / NO . **83067-00**
 NAME . MISCELLANEOUS GUIDE
 MATE. ASW

1.92g

S=1/1

D / NO . **83067M90**
 NAME . MISCELLANEOUS GUIDE
 MATE. ASW

0.83g

S=1/2

D / NO . **83068-00**
 NAME . MISCELLANEOUS GUIDE
 MATE. ASO

7.88g

S=1/1

D / NO . **83091-00**
 NAME . MISCELLANEOUS GUIDE
 MATE. ASO

3.99g

S=1 /1

D /NO . **83107-01**
 NAME . MISCELLANEOUS GUIDE
 MATE. ASO

2.40g

S=1 /1

D /NO . **83133-00**
 NAME . MISCELLANEOUS GUIDE
 MATE. ASO

3.57g

S=1 /1

D /NO . **83139-00**
 NAME . MISCELLANEOUS GUIDE
 MATE. ASO

1.08g

S=1 /1

D /NO . **83158-00**
 NAME . MISCELLANEOUS GUIDE
 MATE. ASD

2.61g

S=1 /1

D /NO . **83165-00**
 NAME . MISCELLANEOUS GUIDE
 MATE. ASO

0.12g

S=2 /1

D /NO . **83187-00**
 NAME . MISCELLANEOUS GUIDE
 MATE. ASO

2.12g

S=2 /1

D /NO . **83187-01**
 NAME . MISCELLANEOUS GUIDE
 MATE. ASO

2.17g

S=1 /1

D /NO . **83189-00**
 NAME . MISCELLANEOUS GUIDE
 MATE. ASO

6.23g

S=1 /1

D /NO . **83190-00**
 NAME . MISCELLANEOUS GUIDE
 MATE. ASO

7.62g

S=1 /3

D /NO . **83193-00**
 NAME . MISCELLANEOUS GUIDE
 MATE. ASO

25.8g

S=3 /2

D /NO . **83194M00**
 NAME . MISCELLANEOUS GUIDE
 MATE. ASO

0.64g

S=1 /1

D /NO . **83194M56**
 NAME . MISCELLANEOUS GUIDE
 MATE. ASO

0.88g

S=1 /1

D /NO . **83196-00**
 NAME . MISCELLANEOUS GUIDE
 MATE. ASO

1.41g

S=1 /1

D /NO . **83197-00**
 NAME . MISCELLANEOUS GUIDE
 MATE. ASW

0.54g

S=3 /2

D /NO . **83208-00**
 NAME . MISCELLANEOUS GUIDE
 MATE. ASO

1.92g

S=1 /1

D /NO . **83208M00**
 NAME . MISCELLANEOUS GUIDE
 MATE. ASO

0.94g

S=1 /1

D /NO . 83214-00
NAME . MISCELLANEOUS GUIDE
MATE. TSO

1.29g

S=1 /1

D /NO . 83247-01
NAME . MISCELLANEOUS GUIDE
MATE. ASO

0.40g

S=1 /1

D /NO . 83253-00
NAME . MISCELLANEOUS GUIDE
MATE. ASW

3.33g

S=1 /1

D /NO . 83255-00
NAME . MISCELLANEOUS GUIDE
MATE. ASW

2.36g

S=1 /1

D /NO . 83258-00
NAME . MISCELLANEOUS GUIDE
MATE. ASW

9.71g

S=1 /1

D /NO . 83269-00
NAME . MISCELLANEOUS GUIDE
MATE. ASW

0.53g

S=1 /1

D /NO . 83287-00
NAME . MISCELLANEOUS GUIDE
MATE. ASO

6.44g

S=1 /3

D /NO . 83292-00
NAME . MISCELLANEOUS GUIDE
MATE. ASO

29.1g

S=1 /1

D /NO . **83334-00**
 NAME . MISCELLANEOUS GUIDE
 MATE. ASW

2.11g

S=1 /1

D /NO . **83344-00**
 NAME . MISCELLANEOUS GUIDE
 MATE. ASO

1.53g

S=1 /2

D /NO . **83374-00**
 NAME . MISCELLANEOUS GUIDE
 MATE. ASO

13.1g

S=3 /2

D /NO . **83384-00**
 NAME . MISCELLANEOUS GUIDE
 MATE. ASO

1.33g

S=3 /2

D /NO . **83406M00**
 NAME . MISCELLANEOUS GUIDE
 MATE. ASO

0.32g

S=2 /3

D /NO . **83466-00**
 NAME . MISCELLANEOUS GUIDE
 MATE. ASO

9.66g

S=3 /2

D /NO . **83505-00**
 NAME . MISCELLANEOUS GUIDE
 MATE. TSO

0.94g

S=1 /1

D /NO . **83521-00**
 NAME . MISCELLANEOUS GUIDE
 MATE. ASO

2.54g

D / NO . **83548-00**
 NAME . MISCELLANEOUS GUIDE
 MATE. ASO

D / NO . **83585-00**
 NAME . MISCELLANEOUS GUIDE
 MATE. ASO

D / NO . **83596-12**
 NAME . MISCELLANEOUS GUIDE
 MATE. ASO

D / NO . **83672-00**
 NAME . MISCELLANEOUS GUIDE
 MATE. ASW

D / NO . **83706-00**
 NAME . MISCELLANEOUS GUIDE
 MATE. ASW

D / NO . **83718-00**
 NAME . MISCELLANEOUS GUIDE
 MATE. ASW

D / NO . **83724-00**
 NAME . MISCELLANEOUS GUIDE
 MATE. ASD

D / NO . **84005-00**
 NAME . MISCELLANEOUS GUIDE
 MATE. ASO

S=1 /1

D /NO . **84014-00**
 NAME . MISCELLANEOUS GUIDE
 MATE. ASO

3.42g

S=2 /1

D /NO . **84017-00**
 NAME . MISCELLANEOUS GUIDE
 MATE. ASO

0.57g

S=1 /2

D /NO . **84025-00**
 NAME . MISCELLANEOUS GUIDE
 MATE. ASO

8.02g

S=1 /1

D /NO . **84031-00**
 NAME . MISCELLANEOUS GUIDE
 MATE. ASF

1.93g

S=2 /3

D /NO . **84060-00**
 NAME . MISCELLANEOUS GUIDE
 MATE. ASO

2.67g

S=2 /3

D /NO . **84061-00**
 NAME . MISCELLANEOUS GUIDE
 MATE. ASO

4.26g

S=1 /2

D /NO . **84062-00**
 NAME . MISCELLANEOUS GUIDE
 MATE. ASO

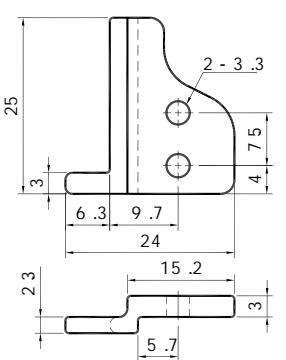
10.6g

S=1 /1

D /NO . **84066-00**
 NAME . MISCELLANEOUS GUIDE
 MATE. ASO

1.73g

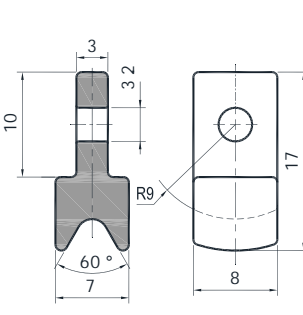
S=1 /1



D /NO . **84082-00**
 NAME . MISCELLANEOUS GUIDE
 MATE. ASW

4.01g

S=3 /2



D /NO . **84096-00**
 NAME . MISCELLANEOUS GUIDE
 MATE. ASO

1.86g