

D / NO . 2-16x244-48W
NAME . YARN GUIDE
MATE . ASW

146g

D / NO . 53124-60
NAME . YARN GUIDE
MATE . ASF

1.07g

D / NO . 53184-8W
NAME . YARN GUIDE
MATE . ASF

18.4g

D / NO . 76185-00
NAME . YARN GUIDE
MATE . AWF

31.4g

D / NO . 76185M01
NAME . YARN GUIDE
MATE . AWF

28.8g

D / NO . 76295-00
NAME . YARN GUIDE
MATE . ASO

1.05g

D / NO . 76322-00
NAME . YARN GUIDE
MATE . ASO

2.77g

D / NO . 76328-00
NAME . YARN GUIDE
MATE . ASO

4.86g

S = 2 / 3

D / NO . **76328M00**
 NAME . YARN GUIDE
 MATE . ASO

3.92g

S = 1 / 2

D / NO . **76357-00**
 NAME . YARN GUIDE
 MATE . ASF

15.3g

S = 1 / 1

D / NO . **76358-00**
 NAME . YARN GUIDE
 MATE . ASO

2.66g

S = 1 / 1

D / NO . **76379-00**
 NAME . YARN GUIDE
 MATE . ASO

3.55g

S = 2 / 3

D / NO . **76382-00**
 NAME . YARN GUIDE
 MATE . ASO

4.04g

S = 1 / 1

D / NO . **76383-00**
 NAME . YARN GUIDE
 MATE . ASO

2.19g

S = 1 / 3

D / NO . **76387-00**
 NAME . YARN GUIDE
 MATE . ASW

17.0g

S = 1 / 3

D / NO . **76387M15**
 NAME . YARN GUIDE
 MATE . ASW

6.83g

S=1 /2

D /NO . 76388-00
NAME . YARN GUIDE
MATE . ASW

17.1g

S=1 /1

D /NO . 76390-00
NAME . YARN GUIDE
MATE . ASW

2.47g

S=1 /1

D /NO . 76391-00
NAME . YARN GUIDE
MATE . ASW

2.83g

S=1 /3

D /NO . 76397-00
NAME . YARN GUIDE
MATE . ASO

16.7g

S=1 /2

D /NO . 76398-00
NAME . YARN GUIDE
MATE . ASF

20.0g

S=1 /1

D /NO . 76405-00
NAME . YARN GUIDE
MATE . ASO

3.24g

S=2 /3

D /NO . 76454-L0
NAME . YARN GUIDE
MATE . ASO

5.80g

S=2 /3

D /NO . 76454-R0
NAME . YARN GUIDE
MATE . ASO

5.85g

S=1 /1

3.80g

D /NO . **76456-00**
 NAME . YARN GUIDE
 MATE . ASW

S=2 /3

5.16g

D /NO . **76457-00**
 NAME . YARN GUIDE
 MATE . ASF

S=1 /1

3.01g

D /NO . **76460-00**
 NAME . YARN GUIDE
 MATE . ASF

S=3 /4

4.14g

D /NO . **76471-L0**
 NAME . YARN GUIDE
 MATE . ASO

S=3 /4

4.20g

D /NO . **76471-R0**
 NAME . YARN GUIDE
 MATE . ASO

S=1 /1

2.26g

D /NO . **76493-00**
 NAME . YARN GUIDE
 MATE . ASO

S=1 /2

12.8g

D /NO . **76497-36**
 NAME . YARN GUIDE
 MATE . ASW

S=1 /2

18.6g

D /NO . **76596-00**
 NAME . YARN GUIDE
 MATE . ASO

S=1 /1

D /NO . **76637 -00**
 NAME . YARN GUIDE
 MATE . ASF

1.63g

S=1 /1

D /NO . **76651-00**
 NAME . YARN GUIDE
 MATE . ASO

14.9g

S=1 /1

D /NO . **76666-00**
 NAME . YARN GUIDE
 MATE . ASO

1.62g

S=2 /3

D /NO . **76667-00**
 NAME . YARN GUIDE
 MATE . ASO

2.35g

S=2 /3

D /NO . **76679-00**
 NAME . YARN GUIDE
 MATE . ASF

3.87g

S=1/2

D /NO . **76696-00**
 NAME . YARN GUIDE
 MATE . ASF

61.7g

S=1 /1

D /NO . **76767-00**
 NAME . YARN GUIDE
 MATE . ASO

1.32g

S=3 /2

D /NO . **80021-00**
 NAME . YARN GUIDE
 MATE . ASF

0.86g

S = 1 / 1

D / NO . 83021-L2
NAME . YARN GUIDE
MATE . ASF

5.01g

S = 1 / 1

D / NO . 83021-R2
NAME . YARN GUIDE
MATE . ASF

5.12g

S = 2 / 1

D / NO . 83040-02
NAME . YARN GUIDE
MATE . ASF

0.28g

S = 1 / 1

D / NO . 83129-L0
NAME . YARN GUIDE
MATE . ASF

4.44g

S = 1 / 1

D / NO . 83129-R0
NAME . YARN GUIDE
MATE . ASW

4.32g

S = 1 / 1

D / NO . 83146-00
NAME . YARN GUIDE
MATE . ASF

1.95g

S = 1 / 1

D / NO . 83186-00
NAME . YARN GUIDE
MATE . ASF

1.33g

S = 3 / 2

D / NO . 83221-00
NAME . YARN GUIDE
MATE . ASF

1.30g

S 3 / 2

D / NO . 83230-L0
NAME . YARN GUIDE
MATE . ASF

1.10g

S 2 / 1

D / NO . 83262-00
NAME . YARN GUIDE
MATE . ASF

0.45g

S 3 / 2

D / NO . 83325-00
NAME . YARN GUIDE
MATE . ASF

0.61g

S 3 / 2

D / NO . 83346-00
NAME . YARN GUIDE
MATE . ASF

0.82g

S 3 / 2

D / NO . 83407-00
NAME . YARN GUIDE
MATE . ASF

0.98g

S 3 / 2

D / NO . 83408-00
NAME . YARN GUIDE
MATE . ASF

1.00g

S 1 / 3

D / NO . 83419-00
NAME . YARN GUIDE
MATE . ASO

13.3g

S 2 / 3

D / NO . 83430-L0
NAME . YARN GUIDE
MATE . ASF

6.98g

S=1 /2

D /NO . 83444-L0
NAME . YARN GUIDE
MATE . ASF

6.60g

S=3 /2

D /NO . 83459-00
NAME . YARN GUIDE
MATE . ASO

1.04g

S=1 /1

D /NO . 83464-00
NAME . YARN GUIDE
MATE . ASO

0.65g

S=3 /2

D /NO . 83488-00
NAME . YARN GUIDE
MATE . ASF

0.76g

S=1 /1

D /NO . 83506-10
NAME . YARN GUIDE
MATE . ASF

1.59g

S=5 /2

D /NO . 83514-00
NAME . YARN GUIDE
MATE . ASO

0.09g

S=5/2

D /NO . 83515-00
NAME . YARN GUIDE
MATE . ASO

0.18g

S=1 /1

D /NO . 83518-00
NAME . YARN GUIDE
MATE . ASO

1.45g

S=2 /1

D /NO . 83530-00
NAME . YARN GUIDE
MATE . ASF

0.31g

S=1 /1

D /NO . 83540-00
NAME . YARN GUIDE
MATE . ASO

1.39g

S=1 /1

D /NO . 83544-00
NAME . YARN GUIDE
MATE . ASO

2.79g

S=1 /2

D /NO . 83545-00
NAME . YARN GUIDE
MATE . ASO

5.09g

S=3 /2

D /NO . 83546-2E
NAME . YARN GUIDE
MATE . ASF

0.51g

S=3 /2

D /NO . 83546-4E
NAME . YARN GUIDE
MATE . ASF

1.01g

S=1 /1

D /NO . 83557-00
NAME . YARN GUIDE
MATE . ASF

3.60g

S=1 /3

D /NO . 83561-00
NAME . YARN GUIDE
MATE . ASO

32.5g

S=1 /1

D /NO . 83564-L0
NAME . YARN GUIDE
MATE . ASF

0.86g

S=1 /1

D /NO . 83564-R0
NAME . YARN GUIDE
MATE . ASF

0.94g

S=2 /1

D /NO . 83572-00
NAME . YARN GUIDE
MATE . ASF

0.62g

S=3 /1

D /NO . 83594-00
NAME . YARN GUIDE
MATE . ASF

0.14g

S=1 /1

D /NO . 83649-00
NAME . YARN GUIDE
MATE . ASF

1.97g

S=1 /1

D /NO . 83650-00
NAME . YARN GUIDE
MATE . ASF

0.78g

S=1 /1

D /NO . 83661 -00
NAME . YARN GUIDE
MATE . ASO

1.10g

S=3 /2

D /NO . 83730 -00
NAME . YARN GUIDE
MATE . ASF

2.93g

S=1 /1

D /NO . 83733-00
NAME . YARN GUIDE
MATE . ASF

1.37g

S=2 /3

D /NO . 83734-00
NAME . YARN GUIDE
MATE . ASF

5.63g

A - A Section

S=1 /2

D /NO . 83743-00
NAME . YARN GUIDE
MATE . ZHO

4.11g

View A - A

S=2 /3

D /NO . 83746-00
NAME . YARN GUIDE
MATE . ASF

4.35g

S=2 /3

D /NO . 83747-00
NAME . YARN GUIDE
MATE . ASF

6.31g

S=1 /2

D /NO . 83749-00
NAME . YARN GUIDE
MATE . ZHO

10.4g

View A - A

S=2 /3

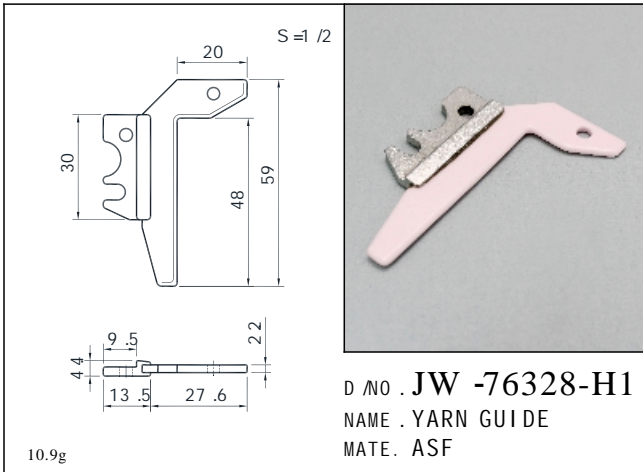
D /NO . 83750-00
NAME . YARN GUIDE
MATE . ZHO

5.21g

S=1 /1

D /NO . 83759-00
NAME . YARN GUIDE
MATE . ASF

1.04g



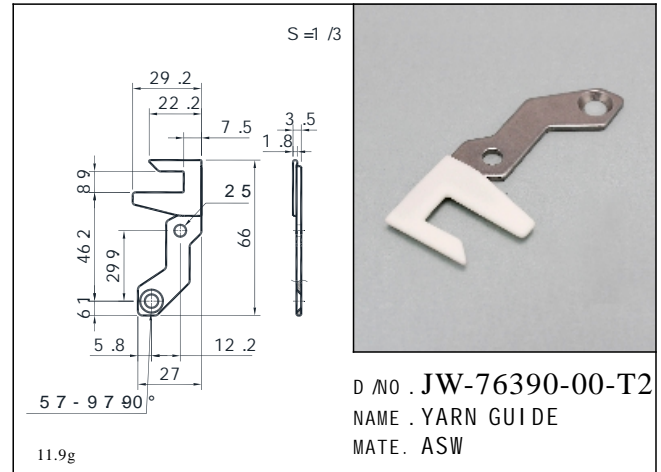
S = 1/2

30 20 48 59

4.4 9 1.5 13.5 27.6 2.2

D / NO . **JW -76328-H1**
 NAME . YARN GUIDE
 MATE. ASF

10.9g

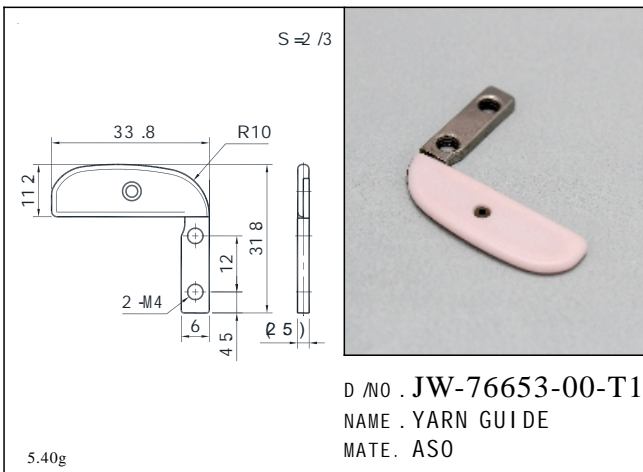


S = 1/3

29.2 22.2 7.5 1 1.3 1.5 8.9 2.5 66 6.1 46.2 29.9 5.8 12.2 27 5.7 - 9.7 90°

D / NO . **JW-76390-00-T2**
 NAME . YARN GUIDE
 MATE. ASW

11.9g

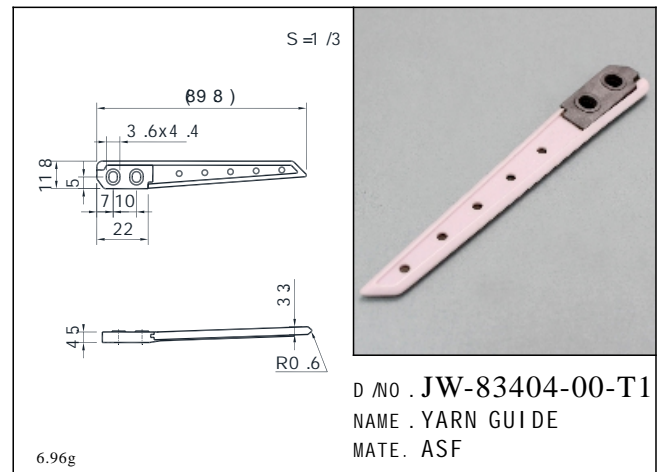


S = 2/3

33.8 R10 11.2 31.8 12 2 -M4 6 4.5 2 5

D / NO . **JW-76653-00-T1**
 NAME . YARN GUIDE
 MATE. ASO

5.40g

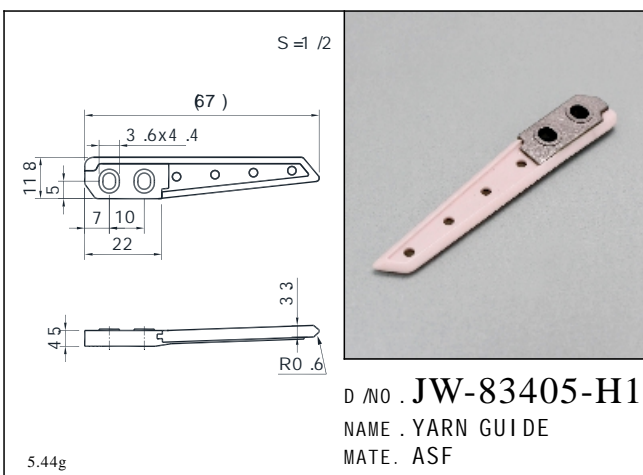


S = 1/3

Ø9.8 3.6x4.4 11.8 5 7 10 22 4.5 3.3 R0.6

D / NO . **JW-83404-00-T1**
 NAME . YARN GUIDE
 MATE. ASF

6.96g

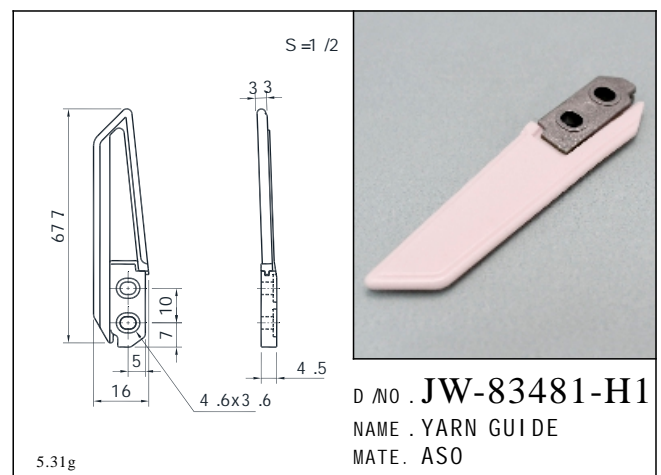


S = 1/2

67 3.6x4.4 11.8 5 7 10 22 4.5 3.3 R0.6

D / NO . **JW-83405-H1**
 NAME . YARN GUIDE
 MATE. ASF

5.44g

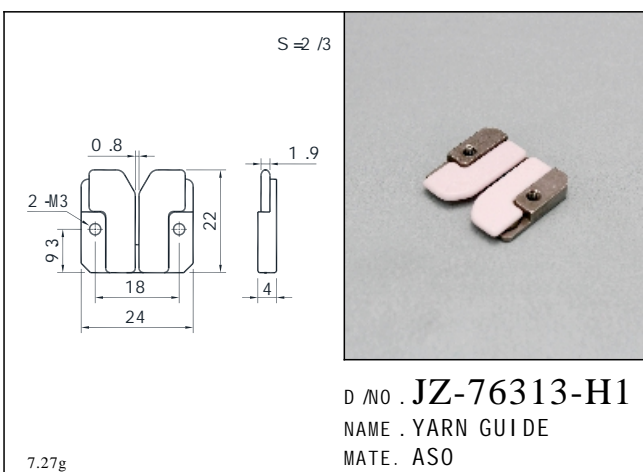


S = 1/2

67.7 3.3 7 10 16 4.5 4.6x3.6

D / NO . **JW-83481-H1**
 NAME . YARN GUIDE
 MATE. ASO

5.31g

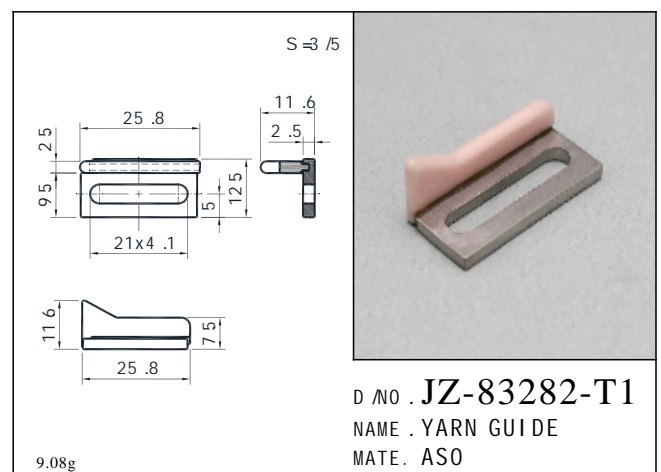


S = 2/3

0.8 1.9 2 -M3 9.3 18 24 22 4

D / NO . **JZ-76313-H1**
 NAME . YARN GUIDE
 MATE. ASO

7.27g



S = 3/5

2.5 25.8 11.6 2.5 9.5 5 12.5 21x4.1 11.6 7.5 25.8

D / NO . **JZ-83282-T1**
 NAME . YARN GUIDE
 MATE. ASO

9.08g